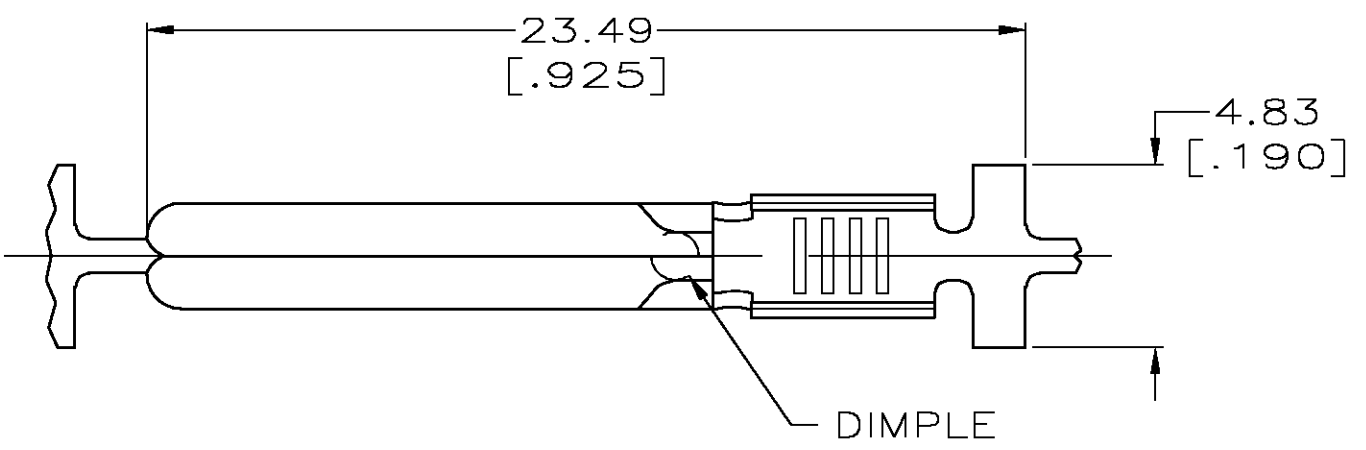
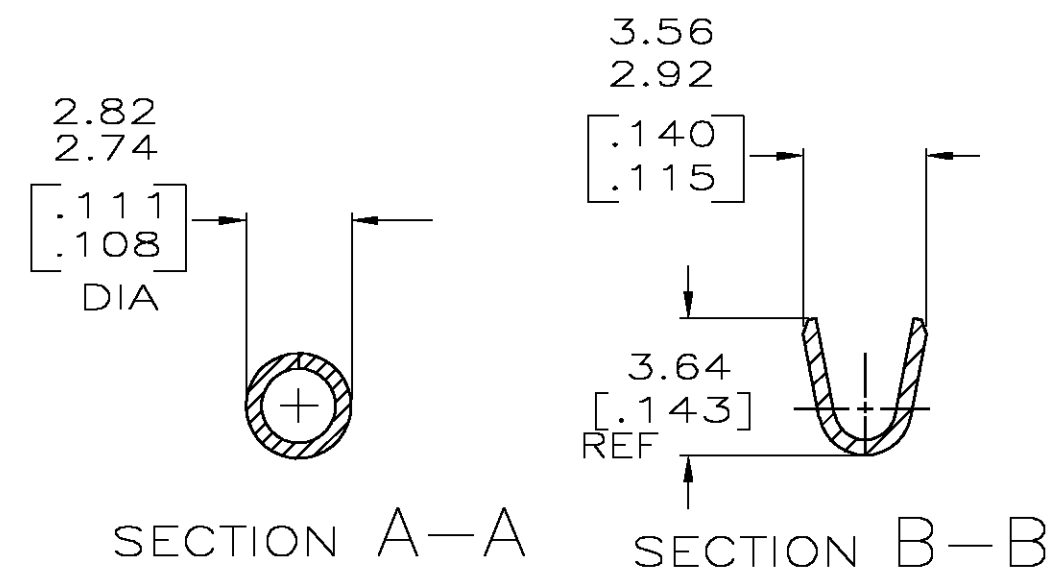
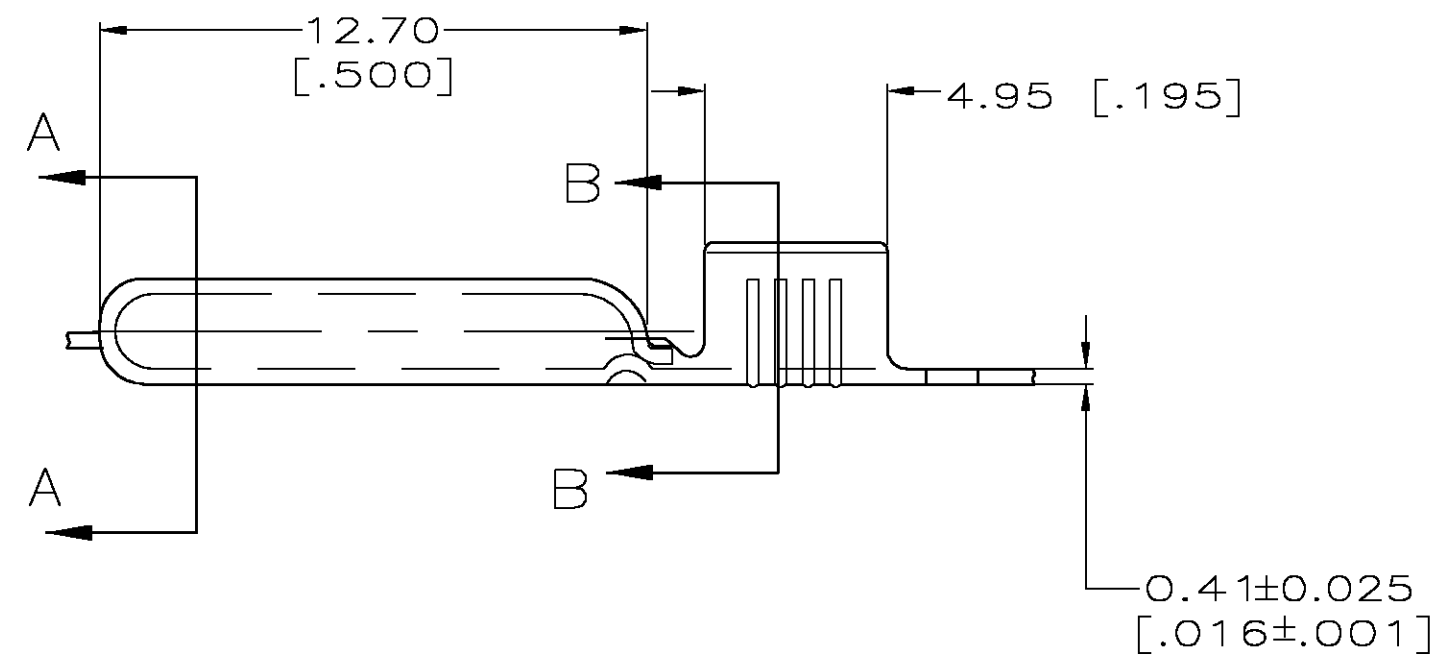


THIS DRAWING IS UNPUBLISHED. RELEASED FOR PUBLICATION
 © COPYRIGHT BY TYCO ELECTRONICS CORPORATION. ALL RIGHTS RESERVED.

LOC	DIST	REVISIONS					
		P	LTR	DESCRIPTION	DATE	DWN	APVD
AF	50		K	REVISED PER OG3A-0319-04	28APR04	JR	DD



- 1 CONTINUOUS STRIP ON REELS
- 2 WIRE SIZE IS [#18-#14] AWG.
- 3 0.00076 [.000030] MIN GOLD OVER 0.00127 [.000050] MIN NICKEL
- 4 PRELIMINARY - NOT FOR PRODUCTION.



	3	4	61013-4
	0.00508 [.000200] MIN SILVER	4	61013-3
	PRE-TIN		61013-2
OBSOLETE	NONE		61013-1
	FINISH		PART NO.

THIS DRAWING IS A CONTROLLED DOCUMENT.		DWN JR RUTH 07NOV00	Tyco Electronics Corporation Harrisburg, PA 17105-3608	
DIMENSIONS: MM		CHK MS FEHER 07NOV00		
TOLERANCES UNLESS OTHERWISE SPECIFIED:		APVD D DECKER 07NOV00	NAME .109 DIA PIN	
0 PLC ± - 1 PLC ± - 2 PLC ± 0.38 [.015] 3 PLC ± - 4 PLC ± - ANGLES ± -		PRODUCT SPEC -	-	
MATERIAL TEMP 1 BRASS		FINISH SEE TABLE	APPLICATION SPEC -	RESTRICTED TO -
		WEIGHT -	SIZE A3	CAGE CODE 00779
		CUSTOMER DRAWING	DRAWING NO C-61013	REV K
			SCALE 5:1	SHEET 1 OF 1